

Portable ADA Tub Seat 26 1/2" x 15", Solid Phenolic Top

MODEL: APFSHPQ-265150PWS (WHITE)
APFSHPQ-265150PTS (TEAK)



DIMENSIONS:

26 1/2" x 15"

HEIGHT ADJUSTABLE LEGS BETWEEN:

16" - 17.5"

WEIGHT CAPACITY:

250lbs

FEATURES:

- White, durable phenolic seat top
- ADA compliance for bathtubs
- Meets 250 lb weight capacity when properly installed
- Seat color options: White and Teak, (Specify when ordering)



Built in USA



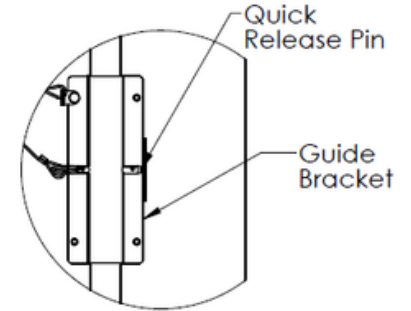
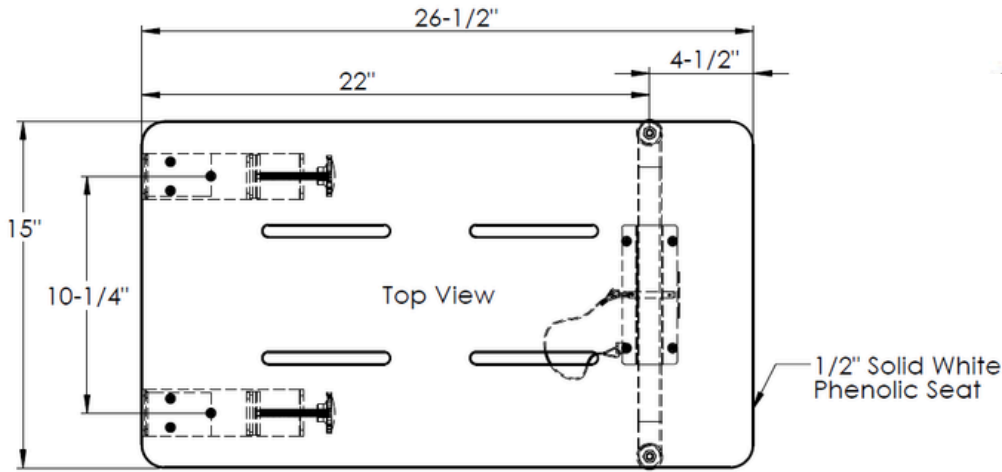
1 Year Seat Warranty

CODE COMPLIANCE:

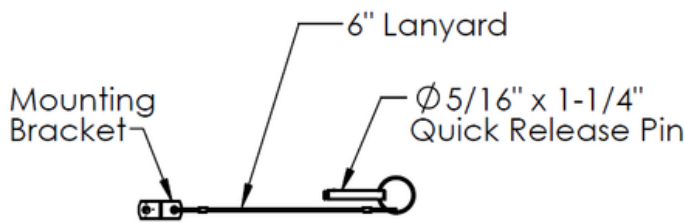
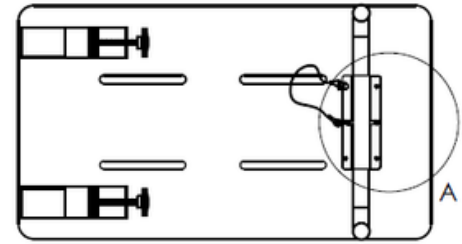
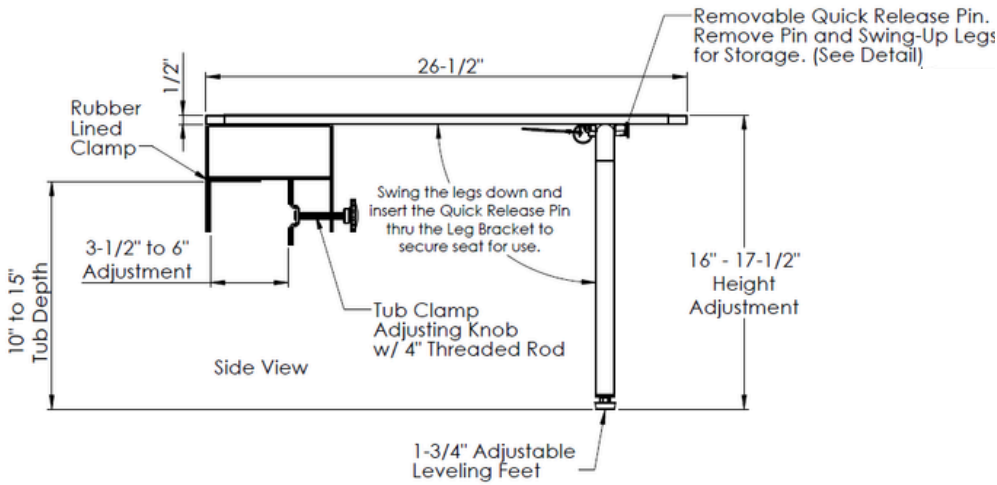
- ADA 610.4 Structural Strength
- ADA 309.4 Operation

Portable ADA Tub Seat 26 1/2" x 15", Solid Phenolic Top

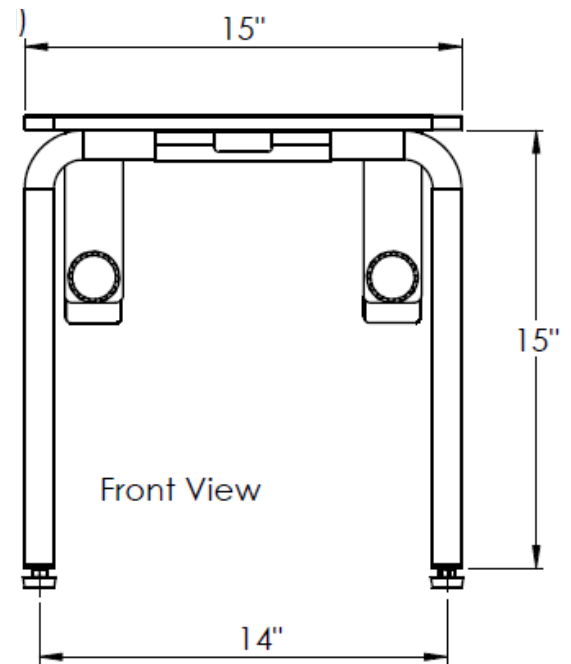
MODEL: APFSHPQ-265150PWS (WHITE)
APFSHPQ-265150PTS (TEAK)



Swing Down Legs and Insert The Quick Release Pin Thru The Guide Bracket and Leg for use.



Stainless Quick-Release Pin with Lanyard Detail



Material:
Seat: 1/2" Solid Phenolic

LEG: 1" Dia. x 18ga 304 Stainless Steel with adjustable leg height (16" - 17-1/2" Height)

TUB CLAMP: Adjustable 3-1/2" to 6" 10ga 304 Stainless Steel, Rubber Lined.