

26.5" x 16" Residential Portable Tub Seat, Solid Phenolic WHITE

MODEL: APFSTPQ-265160PWS



DIMENSIONS:

26 1/2" x 16"

HEIGHT ADJUSTABLE LEGS BETWEEN:

13.125" - 14.625"

WEIGHT CAPACITY:

250lbs

FEATURES:

- White, durable phenolic seat top
- For residential use only (not for ADA compliance)
- Meets 250 lb weight capacity when properly installed
- Seat color: White



Built in USA



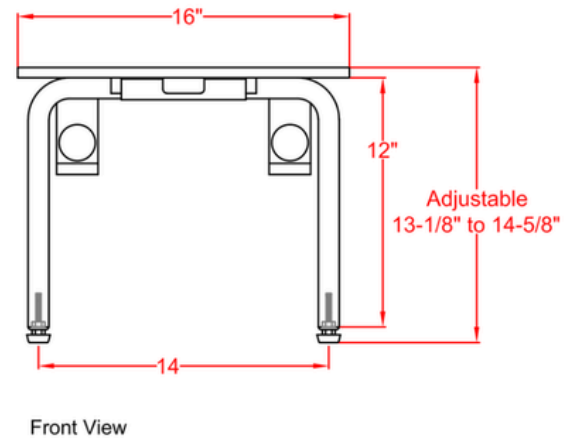
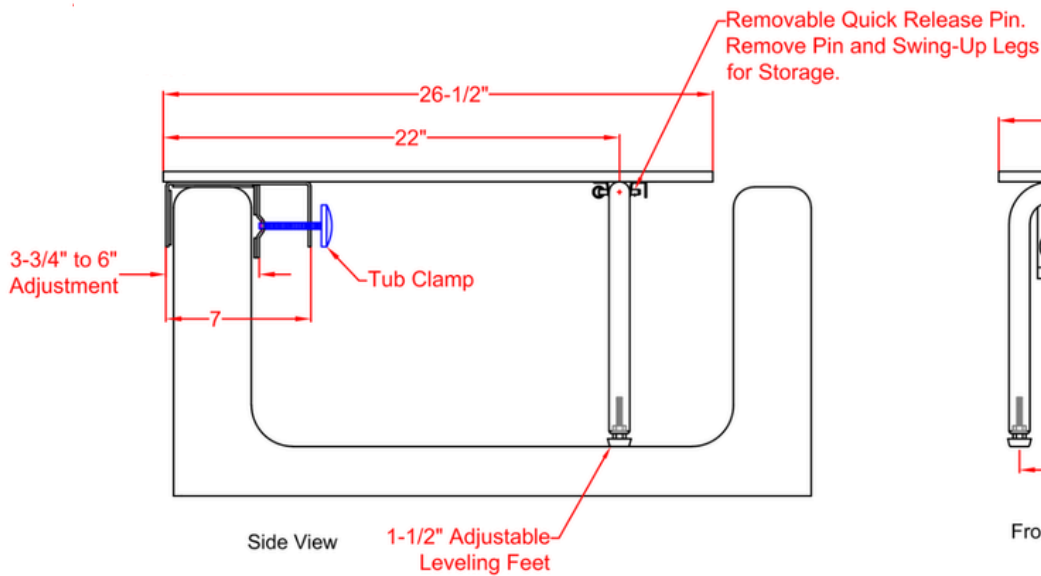
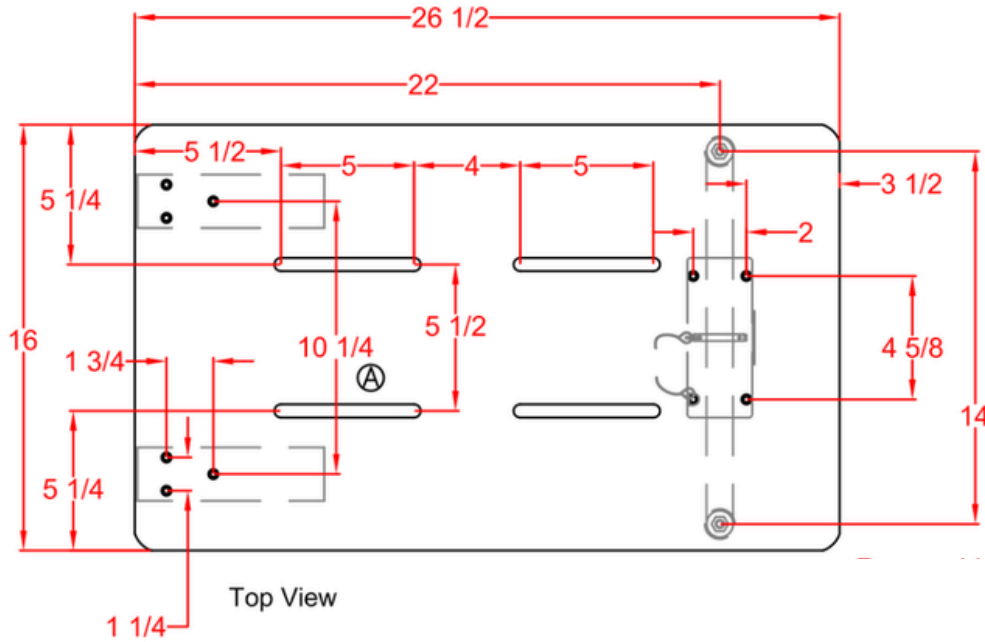
1 Year Seat Warranty

CODE COMPLIANCE:

- ADA 610.4 Structural Strength
- ADA 309.4 Operation

26.5" x 16" Residential Portable Tub Seat, Solid Phenolic WHITE

MODEL: APFSTPQ-265160PWS



MATERIAL:

SEAT... 1/2" Phenolic, White Finish

LEG... 1" Dia. x 18 ga. 304 Stainless Steel with Adjustable Leg Height, 13-1/8" to 14-5/8".

TUB CLAMP.... Adjustable 3-3/4" to 6"
10 ga. 304 Stainless Steel, Rubber Lined.