

Tri-fold 29" x 15" White Removable Bathtub Seat, End Hung

MODEL: APFTFRS-290150MW



DIMENSIONS:

29" x 15"

WEIGHT CAPACITY:

250lbs

FEATURES:

- White, HDPE slats
- Permanent stainless steel bracket with a molded plastic seat that drops in easily for quick installation
- Molded seat effortlessly removes for storage
- Meets 250 lbs. weight capacity when properly installed
- Seat color options: White



Built in USA



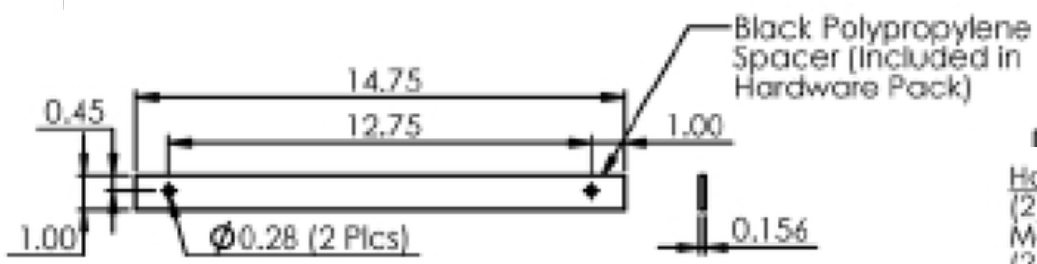
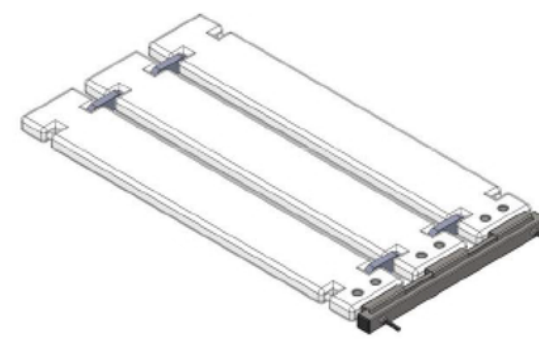
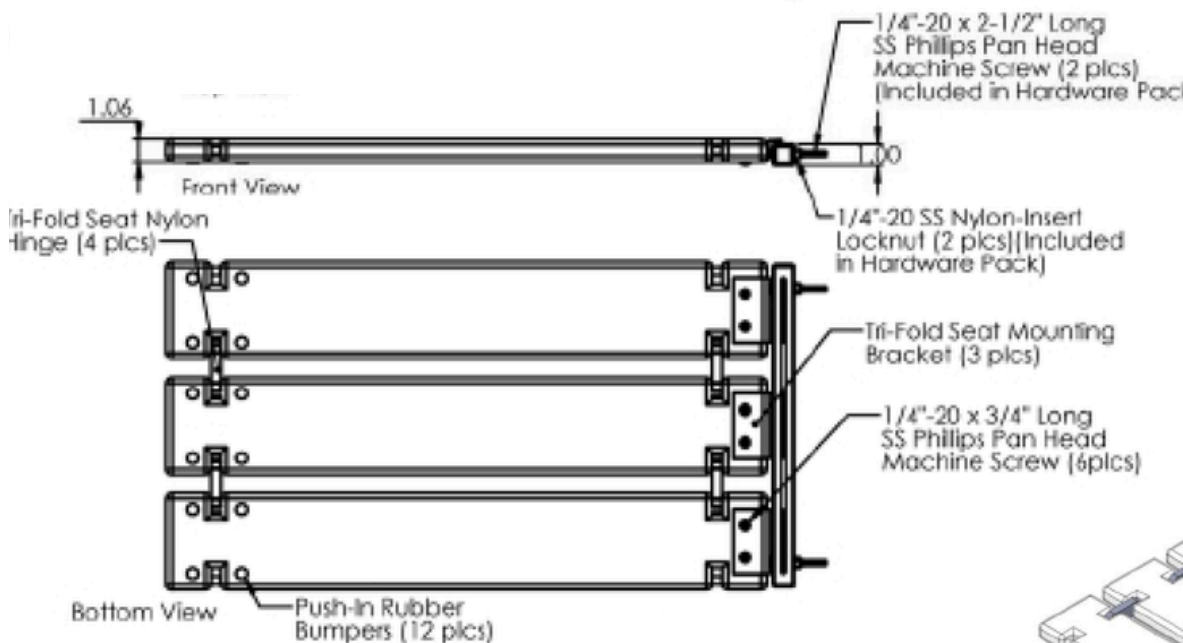
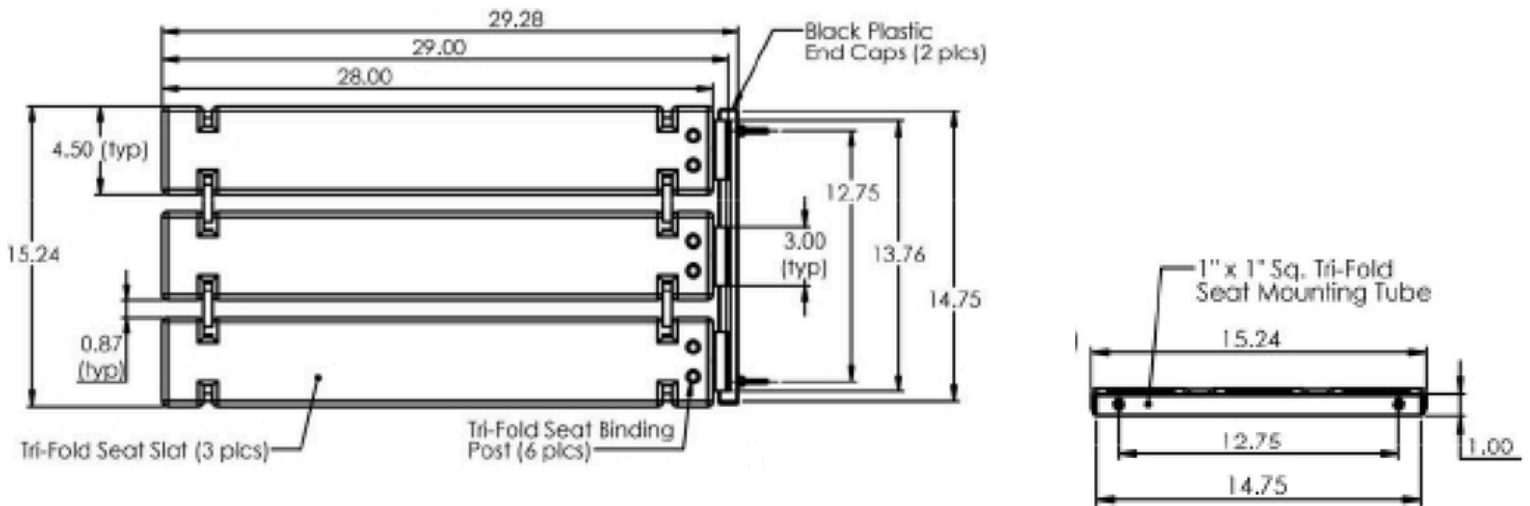
1 Year Seat Warranty

CODE COMPLIANCE:

- ADA 610.4 Structural Strength
- ADA 309.4 Operation

Tri-fold 29" x 15" White Removable Bathtub Seat, End Hung

MODEL: APFTFRS-290150MW



- Hardware Pack Includes:**
- (2) #12 Philips Pan Head S.S. Sheet Metal Screw, 3" Length
 - (2) 1/4-20-UNC Philips Truss Head S.S. Machine Screw, 2-1/2" Length
 - (2) 1/4-20-UNC Nylock-Nut
 - (1) Black Polypropylene Spacer