

ADA Wall Supported Seat, 26" x 22 1/2" Phenolic Slatted Seat Top

MODEL: APFSLR-260225PWS (WHITE)
APFSLR-260225PTS (TEAK)



DIMENSIONS:

26" x 22 1/2"

MOUNTING HEIGHT BETWEEN:

17" - 19"

WEIGHT CAPACITY:

250lbs

FEATURES:

- Durable phenolic slatted seat top
- Wall supported with U-shaped support bracket
- Stainless steel frame, with front access mounting flanges
- 250 lb. weight capacity when properly installed
- Seat color options: White or Teak slats. (Specify when ordering)



Built in USA



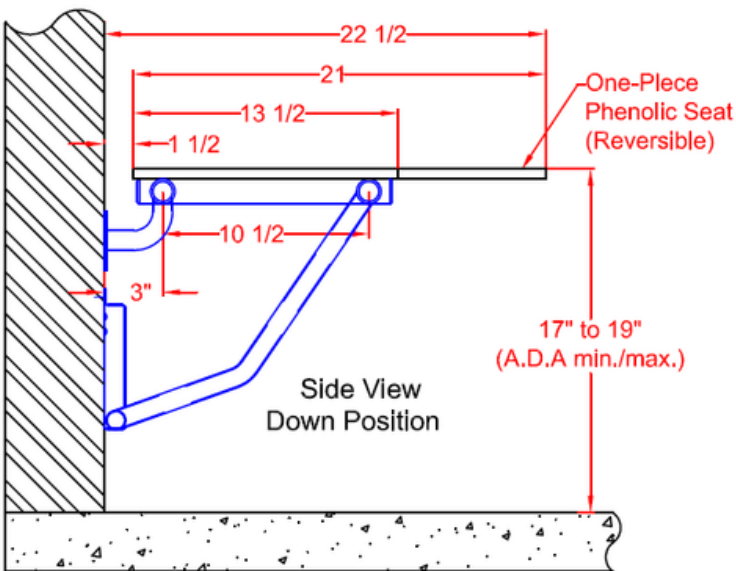
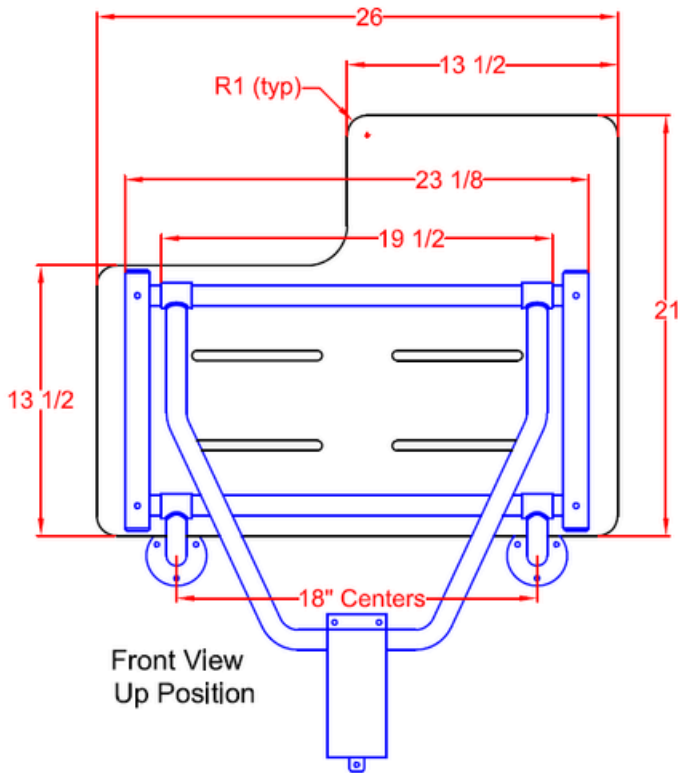
1 Year Seat Warranty

CODE COMPLIANCE:

- ADA 610.4 Structural Strength
- ADA 309.4 Operation

ADA Wall Supported Seat, 26" x 22 1/2" Phenolic Slatted Seat Top

MODEL: APFSLR-260225PWS (WHITE)
APFSLR-260225PWS (TEAK)



ARCHITECTURAL SPECIFICATIONS:

MATERIALS:

FRAME: Type 304 (18-8) S.S. tubing, 1-1/4" (32mm) x 18ga. (1.2mm) sq. main frame with 1" (25mm) x 18ga. (1.2mm) rd. cross members.

WALL FLANGES (2): Type 304 (18-8) S.S., 10ga. (3.4mm) x 3" (76mm) Dia. Heliarc welded to 1" (25mm) rd. x 18ga. (1.2mm) 90 degree leg supports, and to 1-1/4" (32mm) rd. x 12ga. (2.7mm) frame hinge couplings. Three mounting holes in each flange.

SUPPORT LEG: "U"- Shaped yoke of type 304 (18-8) S.S. Tube, 1" (25mm) rd. x 18ga. (1.2mm), heliarc welded to 1-1/4" (32mm) rd. x 12ga. (2.7mm) frame hinge couplings.

GUIDE BRACKET: Type 304 (18-8) S.S., 18ga. (1.2mm) x 3" (76mm) wide, constant friction, wall mounted guide bracket, with positive stop for raised position.

SEAT TOP CHOICES:

PWS or PTS - White (PW) or Teak (PT) Phenolic 1/2" (13mm) One Piece Solid secured to frame with S.S. screws.

OPERATION:

Constant friction wall mounted "U"- shaped bracket guides leg freely up and down, resulting in a low pressure constant spring action to raise and lower seat. Seat is automatically held in a raised position by the positive stop friction guide bracket.

INSTALLATION:

All Shower Seats must only be installed using suitable fasteners and sufficient in-wall backing materials. A.D.A. mounting height for lowered seat is 17" (432mm) to 19" (482mm).