

30" x 15" Folding Shower Bench, Padded **WHITE**

MODEL: APFSSB-30150NW



DIMENSIONS:

30" x 15"

MOUNTING HEIGHT:

At your desired height for residential use

WEIGHT CAPACITY:

250lbs

FEATURES:

- Padded white top with waterproof Naugahyde cover
- Wall supported with U shaped support bracket
- Stainless steel frame, with front access mounting flanges
- 250 lb. weight capacity when properly installed



Built in USA



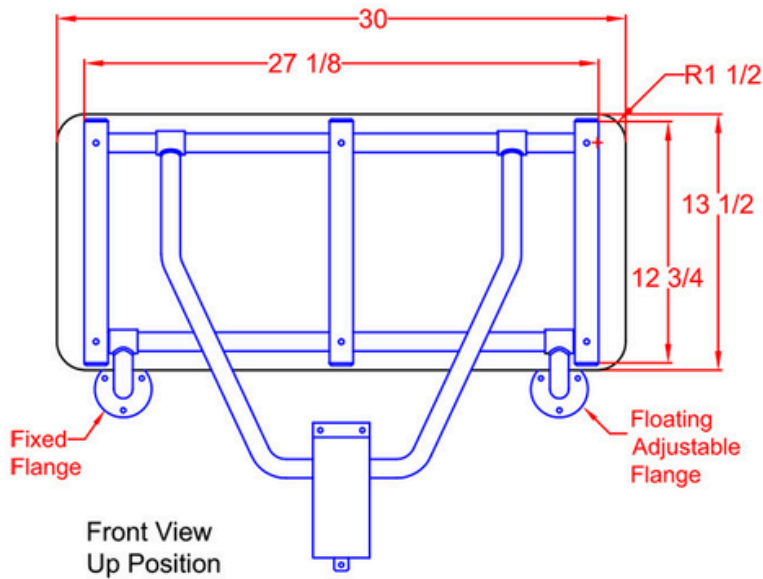
1 Year Seat Warranty

CODE COMPLIANCE:

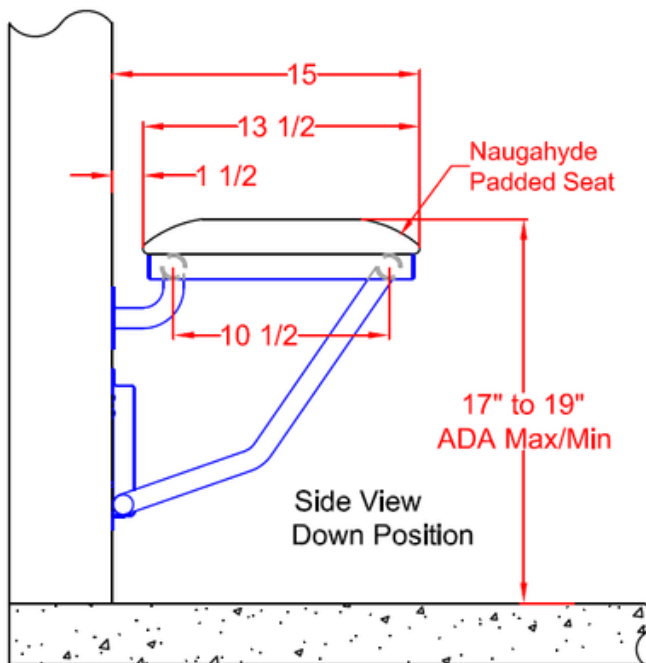
- ADA 610.4 Structural Strength
- ADA 309.4 Operation
- Limited Warranty

30" x 15" Folding Shower Bench, Padded WHITE

MODEL: APFSSB-30150NW



Front View
Up Position



Side View
Down Position

ARCHITECTURAL SPECIFICATIONS:

MATERIALS:

FRAME: Type 304 (18-8) S.S. tubing, 1-1/4" (32mm) x 18ga. (1.2mm) sq. main frame with 1" (25mm) x 18ga. (1.2mm) rd. cross members.

WALL FLANGES (2): Type 304 (18-8) S.S., 10ga. (3.4mm) x 3" (76mm) Dia. Heliarc welded to 1" (25mm) rd. x 18ga. (1.2mm) 90 degree leg supports, and to 1-1/4" (32mm) rd. x 12ga. (2.7mm) frame hinge couplings. Three mounting holes in each flange.

SUPPORT LEG: "U"- Shaped yoke of type 304 (18-8) S.S. Tube, 1" (25mm) rd. x 18ga. (1.2mm), heliarc welded to 1-1/4" (32mm) rd. x 12ga. (2.7mm) frame hinge couplings.

GUIDE BRACKET: Type 304 (18-8) S.S., 18ga. (1.2mm) x 3" (76mm) wide, constant friction, wall mounted guide bracket, with positive stop for raised position.

SEAT TOP CHOICES:

NW- White (NW) Naugahyde covering, 1-1/2" (38mm) foam mounted on 1/2" (13mm) marine plywood.

OPERATION:

Constant friction wall mounted "U"- shaped bracket guides leg freely up and down, resulting in a low pressure constant spring action to raise and lower seat. Seat is automatically held in a raised position by the positive stop friction guide bracket.

INSTALLATION:

All Shower Seats must only be installed using suitable fasteners and sufficient in-wall backing materials. A.D.A. mounting height for lowered seat is 17" (432mm) to 19" (482mm).