

18" x 16" Profile Shower Bench, Grab bar hung with backrest, TEAK

MODEL: APFSSGBH-180160PT



DIMENSIONS:

18" x 16"

MOUNTING HEIGHT:

At your desired height for residential use

WEIGHT CAPACITY:

250lbs

FEATURES:

- Durable phenolic teak slatted top and backrest
- Satin Stainless Frame
- 18" grab bar is included to hang the seat from
- Folding seat for a slim profile when not in use, or for easy storage
- 250 lb. weight capacity when properly installed



Built in USA



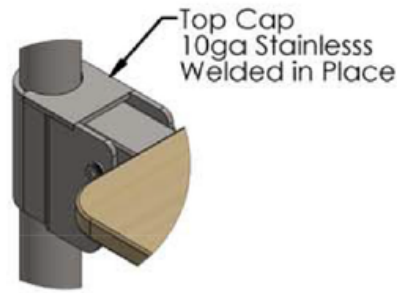
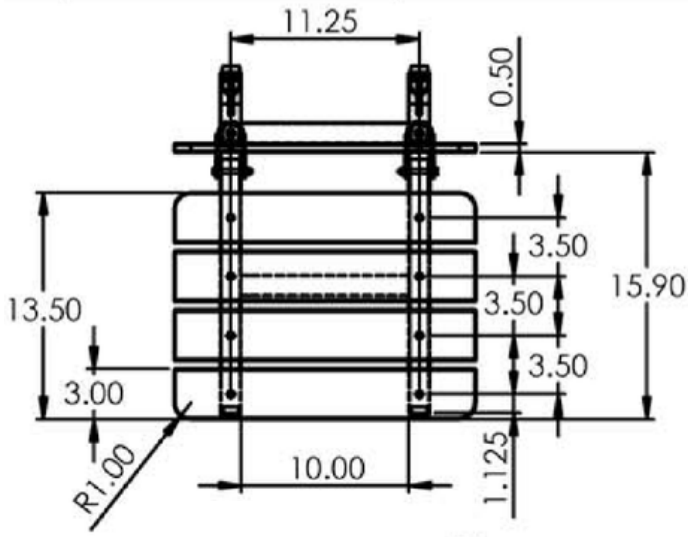
1 Year Seat Warranty

CODE COMPLIANCE:

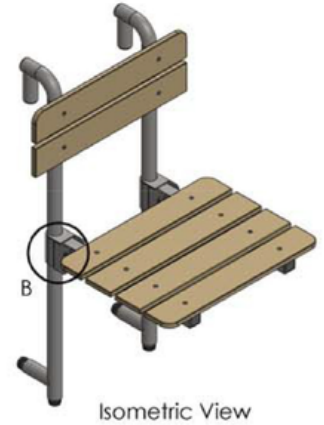
- ADA 610.4 Structural Strength
- ADA 309.4 Operation

18" x 16" Profile Shower Bench, Grab bar hung with backrest, TEAK

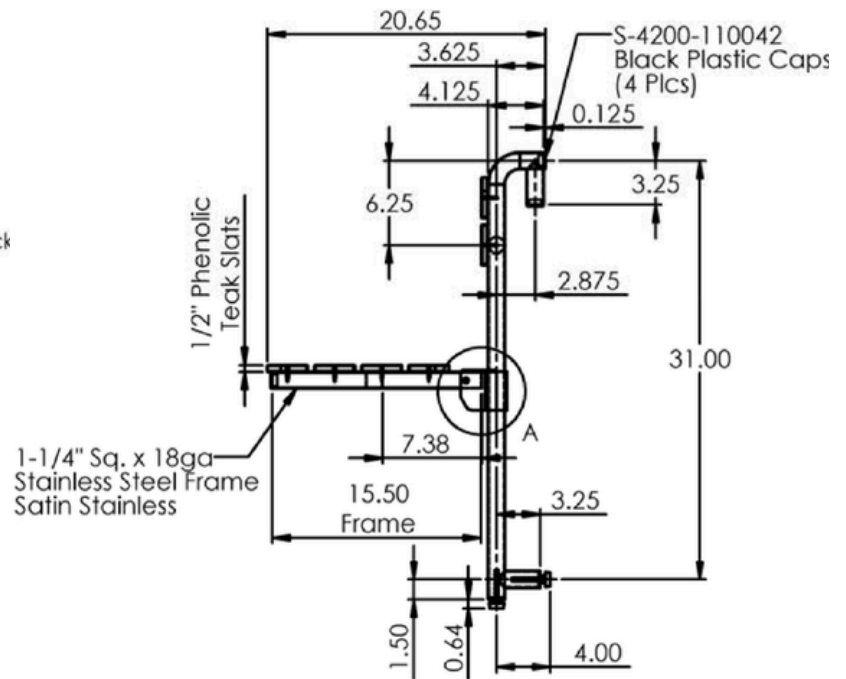
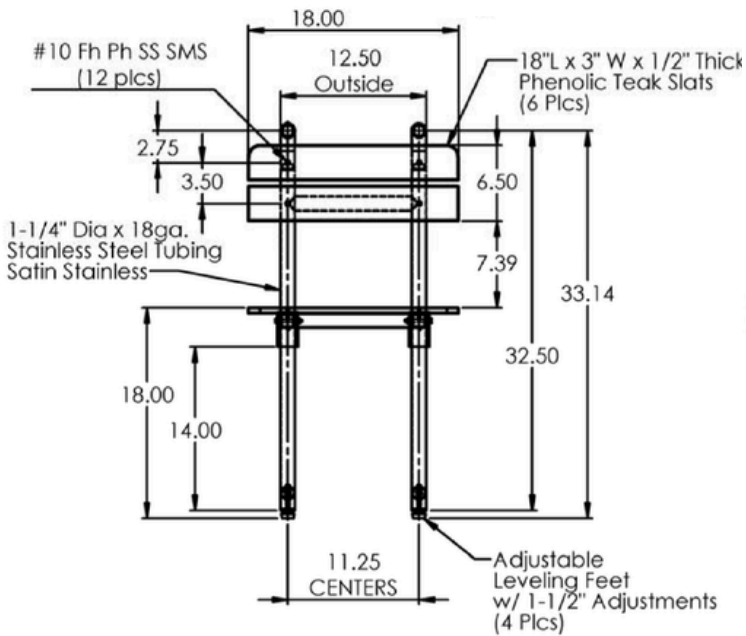
MODEL: APFSSGBH-180160PT



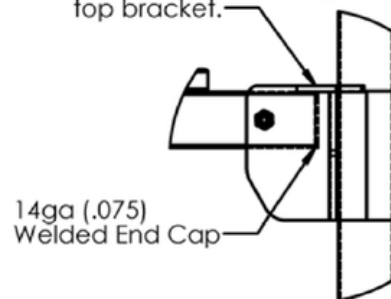
DETAIL B
SCALE 1 : 3



Isometric View



Weld Top Cap in Place.
Weld all around inside bottom edge and seam weld along top bracket.



DETAIL A
SCALE 1 : 3

Note: GSS-180-QCR Included w/ Every Seat

