



FREEDOM

BY ACCESSIBILITY
PROFESSIONALS

TEAK SHOWER SEATS
INSTALLATION INSTRUCTIONS



Customer Support: 1.877.947.7769

Email: apsupport@accessibilitypro.com

Please read these Installation Instructions Thoroughly Prior to Installing the Shower Seat

IMPORTANT: THIS PRODUCT SHOULD ONLY BE INSTALLED BY QUALIFIED AND TRAINED PERSONNEL

FAILURE TO FOLLOW THESE INSTRUCTIONS COULD LEAD TO IMPROPER INSTALLATION OF THE SHOWER SEAT, STRUCTURAL AND/OR WATER DAMAGE TO THE WALL AND IN-WALL SUPPORT STRUCTURES, AND/OR SERIOUS BODILY INJURY IN USE. IN ADDITION, ALL WARRANTIES, EXPRESS OR IMPLIED, WILL BE NULL & VOID DUE TO IMPROPER INSTALLATION OF THIS PRODUCT. THE MANUFACTURER DOES NOT ASSUME ANY LIABILITY FOR DAMAGE RESULTING FROM SERVICES PERFORMED BY OTHERS, OR FAULTY INSTALLATION, MISUSE OR MISAPPLICATION OF GOODS.

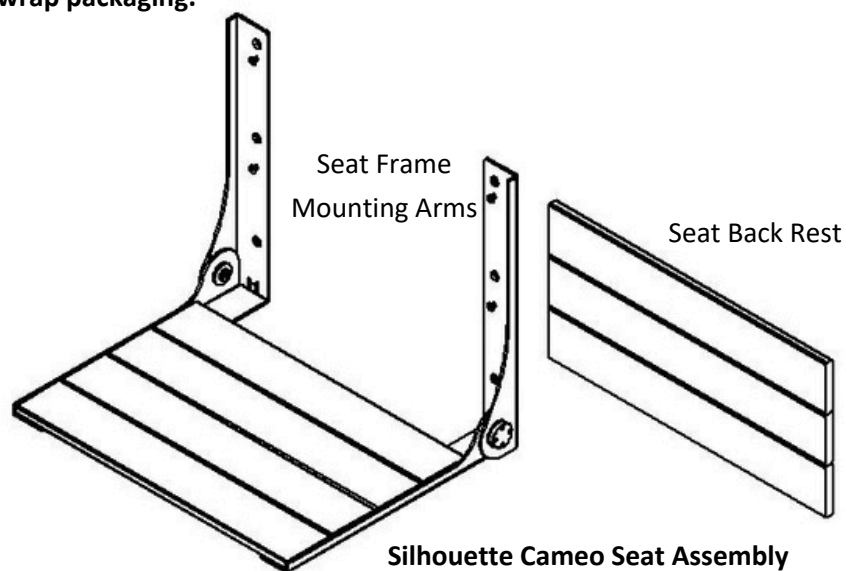
THIS PRODUCT IS DESIGNED TO MEET OR EXCEED ALL LOAD REQUIREMENTS ESTABLISHED IN THE AMERICANS WITH DISABILITIES (ADA) ACT AND/OR FEDERAL SPECIFICATION WW-P-541/8b AT 250 POUNDS OF FORCE.

THE PERFORMANCE OF THIS PRODUCT IS SIGNIFICANTLY IMPACTED BY THE STRENGTH AND CONSTRUCTION OF THE WALL TO WHICH IT IS ATTACHED.

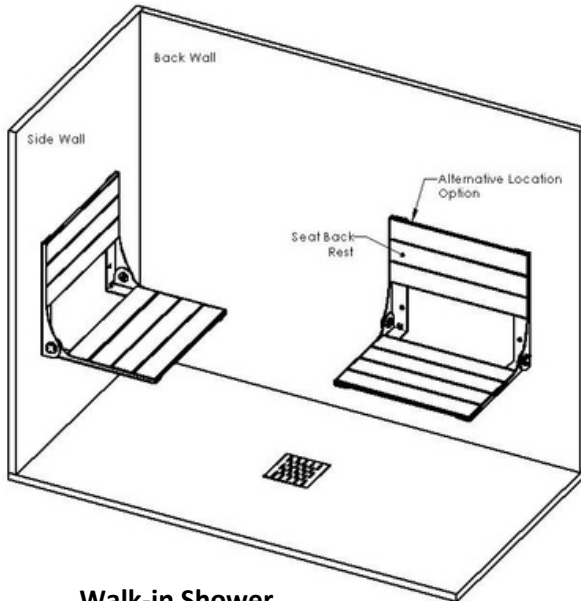
TO ASSURE PROPER AND SAFE INSTALLATION, THIS SHOWER SEAT MUST BE INSTALLED INTO A MINIMUM 2" THICK, SOLID WOOD, IN-WALL BACKING MATERIAL. MAKE CERTAIN IN-WALL BACKING COMPLIES WITH ALL LOCAL BUILDING CODE REQUIREMENTS.

MAXIMUM WEIGHT CAPACITY FOR THIS PRODUCT SHALL NOT EXCEED 400 LBS. WHEN PROPERLY INSTALLED.

1. Remove the Silhouette Cameo Tub/Shower Seat from the shipping carton.
Carefully unwrap packaging.

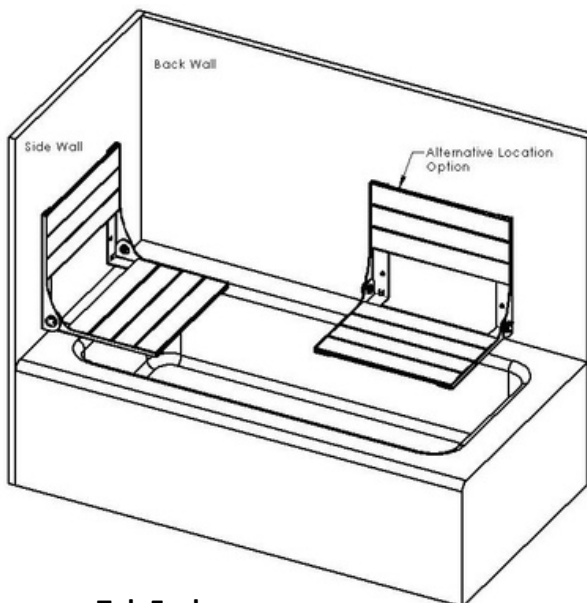


2. Locating the Silhouette Cameo Seat in the desired position for Walk-in Showers and Tub Enclosures.



Walk-in Shower

Locate the area with 2" solid wood in-wall backing. Determine desired seat height (ADA requirements stipulate a seat height of 17" – 19" from the floor). Align ALL hole centerlines in the seat back frame with the in-wall backing. **Using a level (not provided) ensure both seat frame mounting arms are level and square.**



Tub Enclosure

When installing the seat in a tub enclosure, place the shower seat (in the open position) against the wall, prior to installation, to ensure the bottom of the seat will clear the tub dam.

It is **extremely important** to mark the center of each of the six (6) mounting holes precisely—maintaining 16" centerlines on the mounting surface. (See Diagram A)

Proceed cautiously through the following steps in this installation process to avoid drilling into in-wall water supply lines.

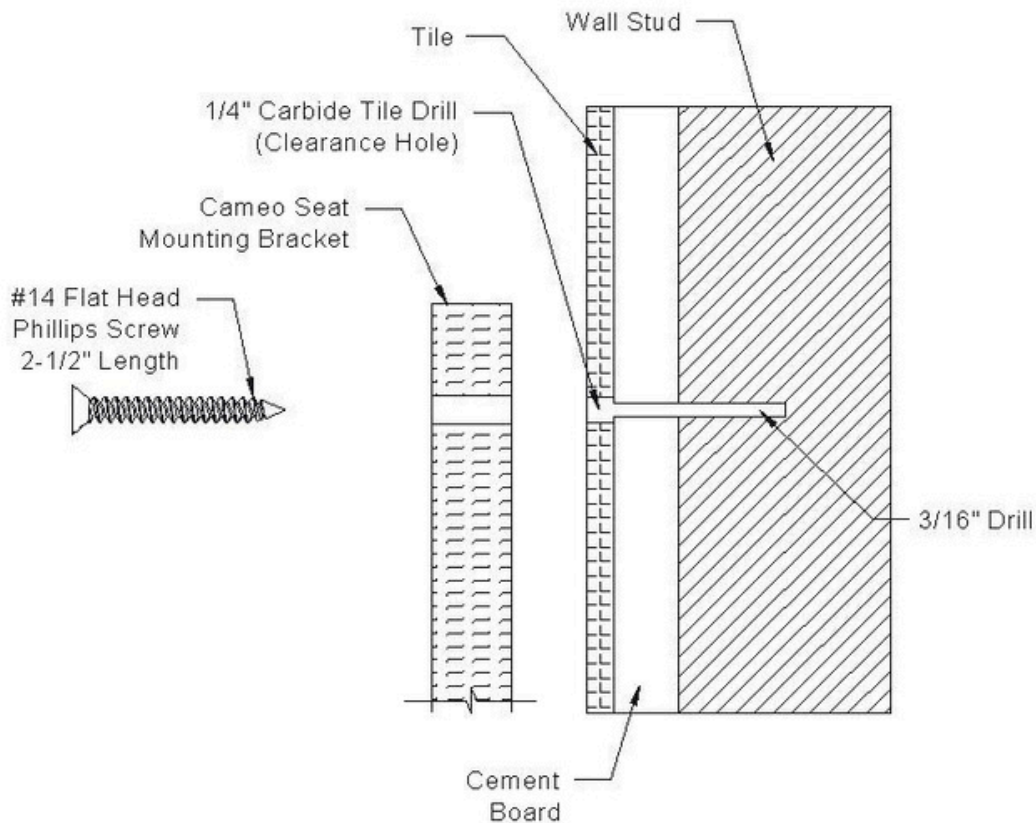
3. Mounting the Silhouette Cameo Seat in Tiled Wall Enclosure.

All mounting points must fasten into structural wood backing, minimum 2" thickness.

Avoid electrical and/or plumbing behind the wall, and where possible drill through tile – not through grout.

Step #1 (See Diagram A)

With the seat positioned on the mounting surface in the open position without the seat back rest, with each of the seat mounting arms level and square, and the six (6) holes on the seat mounting arms on 16" centers – mark the wall (tile surface) at each of the six (6) hole locations. **Drill through the tile only** with a 1/4" Carbide tile drill bit (not provided) at the six (6) locations marked on the wall to create clearance holes in the tile only, leaving a center point mark in the cement board backing to use as a guide for Step #2.



Step #2 Using a 3/16" Standard drill bit (not provided) drill into the 2" thick solid wood backing in the wall, using the center point guide marks created in Step #1. Fill the clearance holes on the mounting surface with silicone to ensure a water-tight seal.

Step #3 Secure the Seat Mounting Bracket to the wall using the (6) #14 Flat Head Phillips sheet metal screws (supplied by manufacturer) and screw into the solid wood backing, starting with the top two hole locations. Note: Use two (2) screws with same frame finish in the two (2) bottom hole locations. Use four (4) plain screws in top four (4) hole locations. Do **NOT** tighten the mounting screws completely until ALL (6) screws are in place.

Step #4

Once all six (6) screws have been tightened, install the seat back rest by placing the four (4) pins (attached to the backside of the seat back rest panel) into the four (4) slotted key-holes on the seat frame. The back rest panel should easily slide down approximately ½" until secure in its normal position. Make certain all four (4) pins are engaged in each key-hole slot.

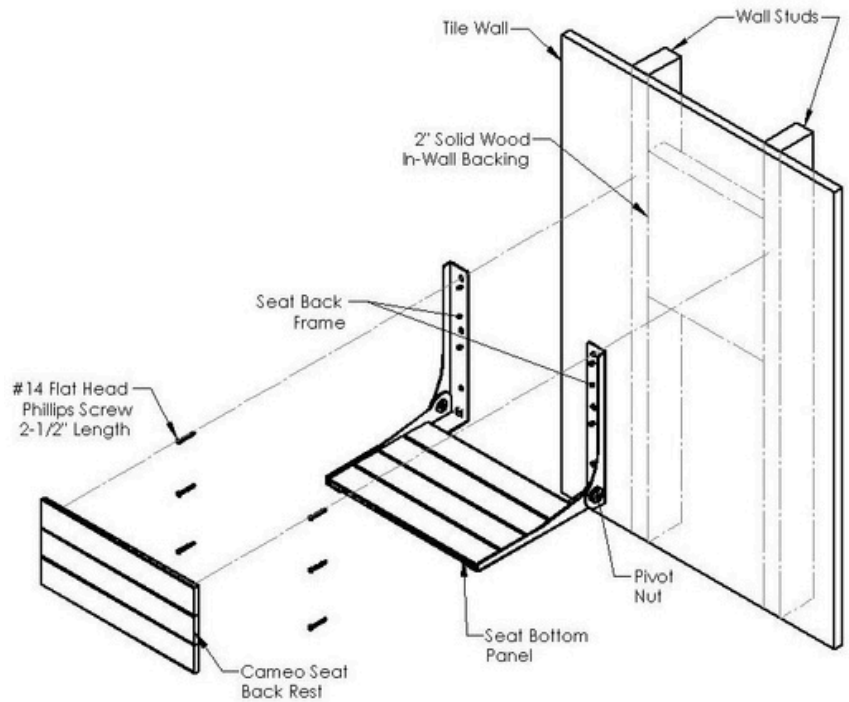


Diagram A

To remove the seat back rest, slide the back rest panel up approximately ½" so the four (4) pins align with the enlarged portion of the key-hole slots on the seat frame, and pull the back rest away from the frame.

NOTE:

The Seat Bottom Panel is attached to the aluminum frame at the factory.

Do NOT attempt to remove the Seat Bottom Panel from the seat frame as it may cause severe damage to the seat. Do NOT attempt to adjust or remove the pivot nut. Torque and friction settings are determined at the factory and cannot be changed. Doing so will severely damage the seat and void all warranties.

To ensure proper and safe installation, the Silhouette Cameo Seat should not shift in any direction on the mounting surface.

Hardware Provided: (6) #14 Flat Head Phillips sheet metal screws 2-1/2" length.

Tools required: Marking pencil/pen, level, masking tape, power drill, 1/4" Carbide tile drill bit, 3/16" Standard drill bit, #3 phillips driver, silicone.

THIS COMPLETES THE INSTALLATION OF THE SILHOUETTE CAMEO TUB/SHOWER SEAT