

# 19" x 14 1/2" Slimline Decorator Shower Seat, TEAK

MODEL: APFSHAFSL185155TW-MB (BLACK FRAME)  
APFSHAFSL185155TW-SL (SILVER FRAME)



**DIMENSIONS:**

19" x 14 1/2"

**MOUNTING HEIGHT:**

At your desired height for residential use

**WEIGHT CAPACITY:**

300lbs

**FEATURES:**

- Durable phenolic slatted top
- Wall supported with U-shaped support bracket
- Stainless steel frame, with front access mounting flanges
- 300 lb. weight capacity when properly installed
- Frame Color Options: Black or Silver  
Specify when ordering



Built in USA



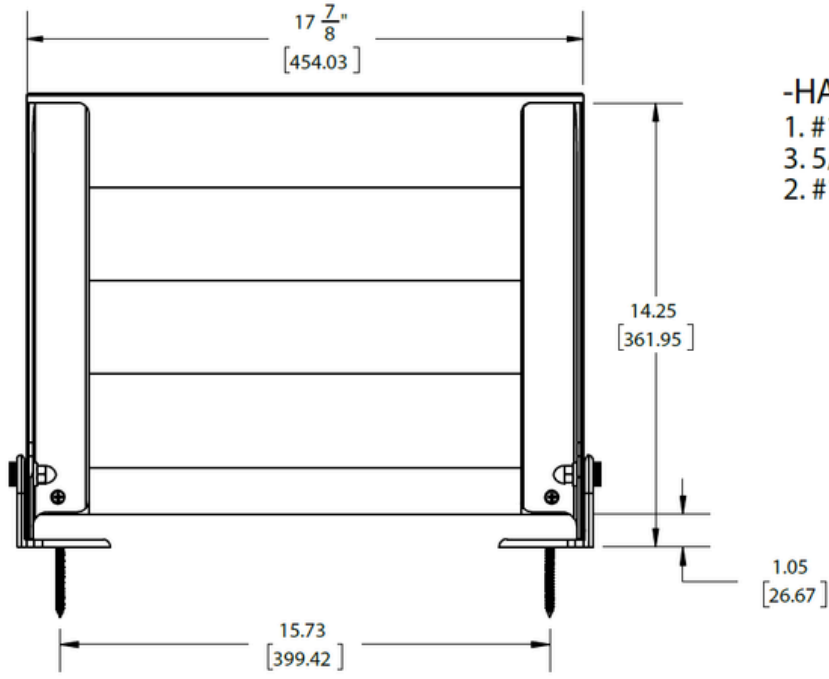
1 Year Seat Warranty

**CODE COMPLIANCE:**

- ADA 610.4 Structural Strength
- ADA 309.4 Operation

# 19" x 14 1/2" Slimline Decorator Shower Seat, TEAK

MODEL: APFSAFSL185155TW-MB (BLACK FRAME)  
 APFSAFSL185155TW-SL (SILVER FRAME)



## -HARDWARE PACKAGE INCLUDES:

1. #14X2.5" 5/32" HEX DRIVE 18-8 (S-4500-110314 QTY 2)
3. 5/32" HEX KEY(S-4500-120447 QTY 1)
2. #14X2.5" PHIL. DRIVE 18-8 (S-4500-120456 QTY 4)

