

Freedom Easy Step Shower Pan 60" x 37" Left or Right Seat

MODEL: APF6036SH1SPAN LR



Left Seat Option Shown



Made in USA



30-Year Warranty

EXTERIOR DIMENSIONS:

60" x 37 1/4" x 24"

FEATURES:

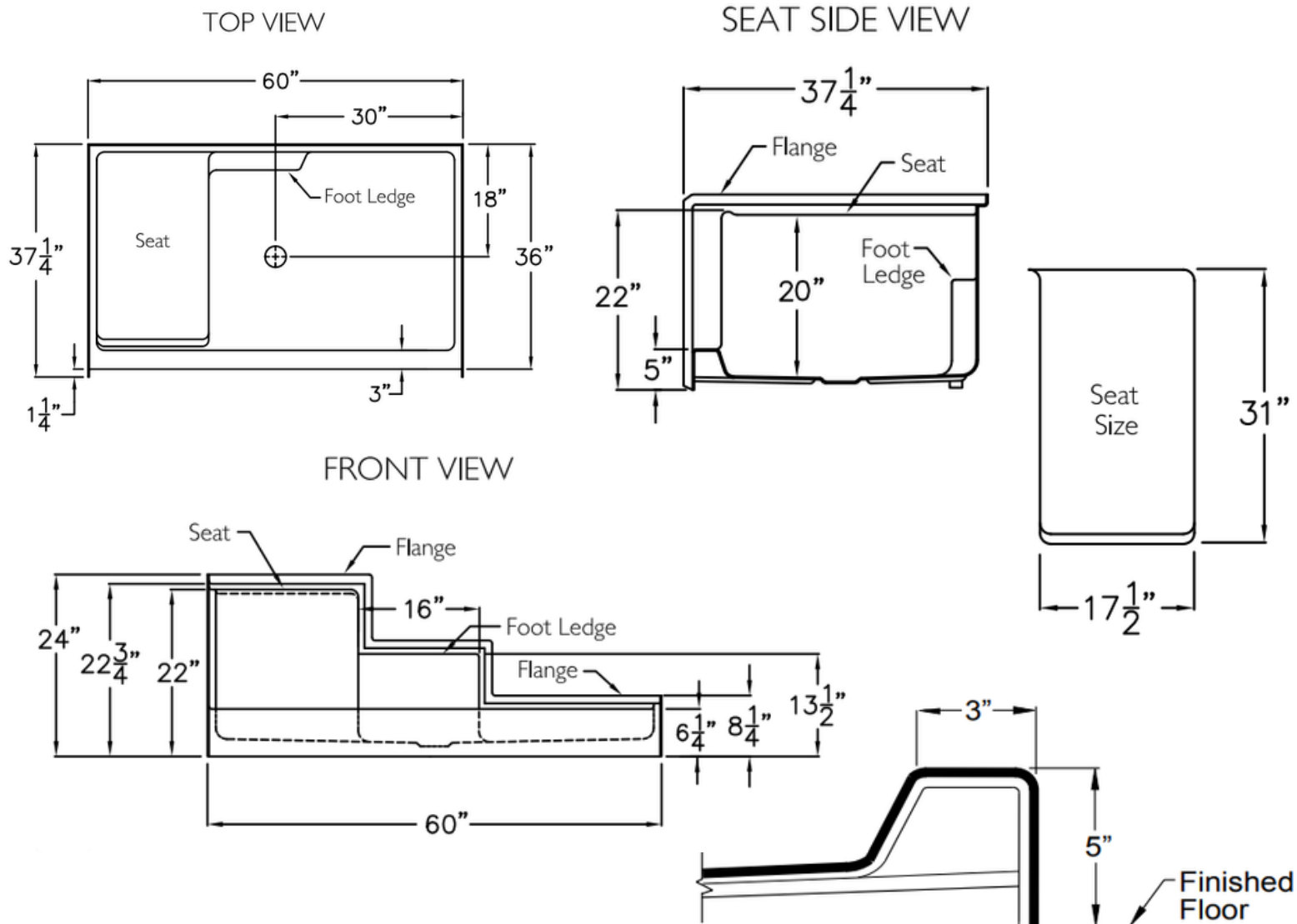
- One Piece Shower Pan
- 5" easy step threshold
- Pre-leveled and reinforced shower base for easy installation
- Built in seat and foot ledge
- Handed by seat side, Left or Right available
- Textured Floor
- Durable, easy-to-clean applied acrylic

ACCESSORIES AVAILABLE:

- Grab bars
- Adjustable handheld shower kit with bar
- ADA pressure-balanced shower valve
- Weighted shower curtain and rod
- Drain and chrome strainer
- Flange trim kit

Freedom Easy Step Shower Pan 60" x 37" Left or Right Seat

MODEL: APF6036SHISPAN LR



NOTES:

Dimensional Tolerance $\pm 1/2"$.
Accessibility Professionals Inc. assumes
no responsibility for prep work

CODE COMPLIANCE:

- IPC International Plumbing Code
- UPC Uniform Plumbing Code
- ANSI Z124.2 Standards for Plastic Showers
- CSA Canadian Standards Association

FRAME-IN DIMENSIONS:

A	60 1/4"
B	30 1/8"
C	37 1/4"
D	18"

