

Freedom Accessible Shower Pan 60" x 37" Left or Right Drain

MODEL: APF6036BFPAN LR



Left Drain Option Shown



Made in USA



30-Year Warranty

EXTERIOR DIMENSIONS:

60" x 37" x 4 1/2"

FEATURES:

- 1" barrier free threshold
- Pre-leveled and reinforced shower base for easy installation
- Handed by drain, Left or Right available
- Fiberglass construction
- Durable, easy-to-clean applied acrylic
- Textured Floor

ACCESSORY PACKAGES AVAILABLE:

Residential Safety Package includes:

- Grab bars x 3
- Wall-mounted, folding shower seat

Water Retention Package includes:

- Collapsible water retainer with end caps
- Weighted shower curtain
- Curtain rod

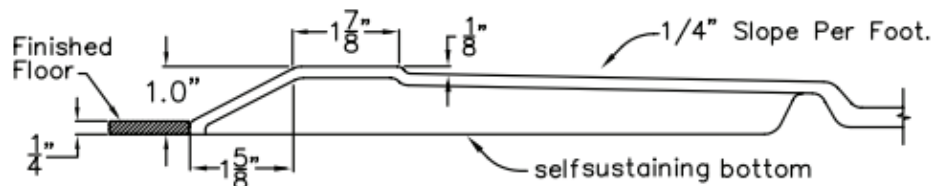
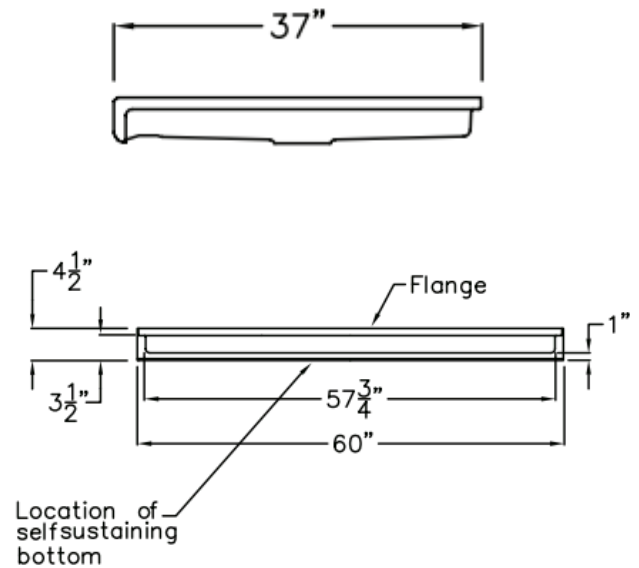
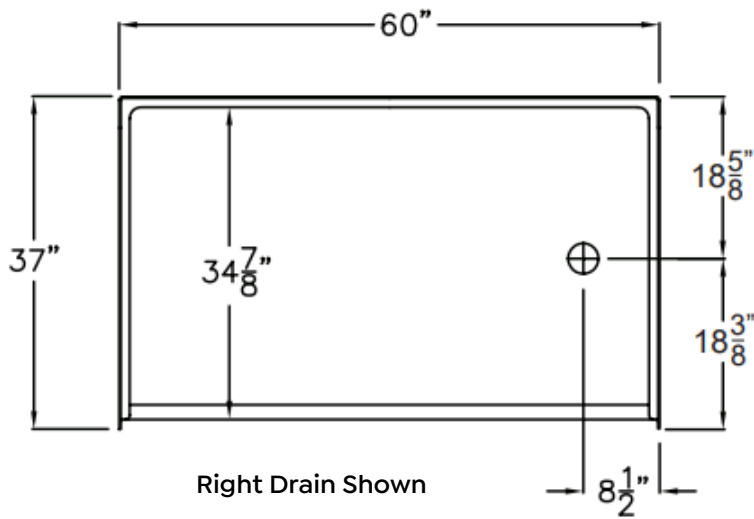
INDIVIDUAL ACCESSORIES AVAILABLE:

- Fold-up shower bench (various styles)
- Grab bars (various styles and sizes)
- Adjustable handheld shower kit with bar
- ADA pressure-balanced shower valve
- Collapsible water retainer with end caps
- Weighted shower curtain and rod
- Drain and chrome strainer
- Flange trim kit

For complete shower unit with pan and walls see model APF6036BF5P LR

Freedom Accessible Shower Pan 60" x 37" Left or Right Drain

MODEL: APF6036BFPAN LR



NOTES:

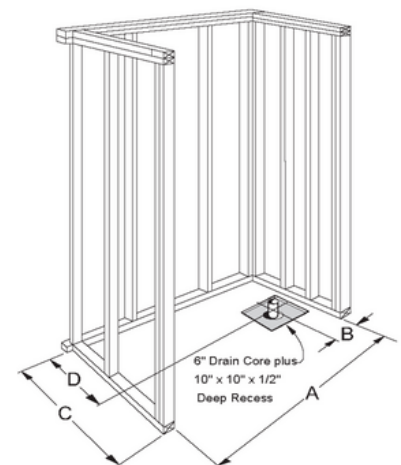
Dimensional Tolerance $\pm 1/2"$.
Accessibility Professionals Inc.
assumes no responsibility for prep work

CODE COMPLIANCE:

- IPC International Plumbing Code
- UPC Uniform Plumbing Code
- ANSI Z124.2 Standards for Plastic Showers
- CSA Canadian Standards Association

FRAME-IN DIMENSIONS:

A	60 1/4"
B	8 9/16"
C	37"
D	18 5/8"



Right Drain Shown