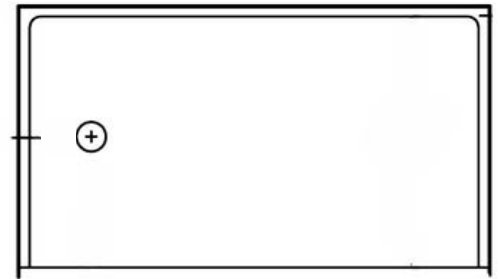
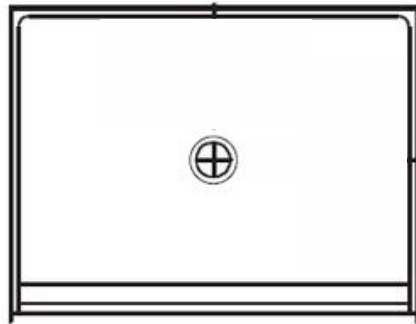
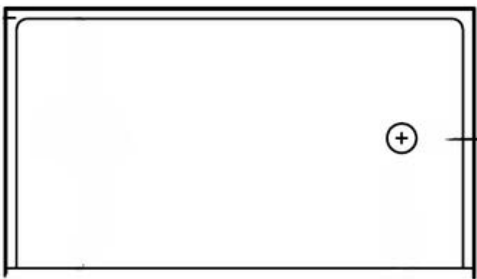




## INSTALLATION INSTRUCTIONS

### APF Barrier Free Shower Pan Models

3838BF, 4836BF, 5430BF, 5436BF, 5050BF, 6030BF,  
6033BF, 6036BF, 6048BF, 6060BF, 6232BF, 6238BF,



**Customer Support:** 1.877.947.7769

**Email:** [apsupport@accessibilitypro.com](mailto:apsupport@accessibilitypro.com)

## HELPFUL HINT

It is wise to delay demolition of the existing bathtub area until you are confident that your unit has arrived intact, and is the correct size and handing.

This way your customer won't be without a working bathroom if you have to wait for a replacement.

### Required Tools:

Hammer	5 Foot Level
1/8" counter sink drill bit	2 Foot Level
Flat head screw driver	3 Buckets 5 gal
Utility Knife	Tape Measure
Plumb bob	Safety Glasses
Drill with Phillips or Square tool	Latex Gloves
Caulking Gun	Sharpie marker or Pencil
	Thin-set mixing tool for drill



### Materials Needed:

#8 or #10 SS Flat Head Wood Screws	Plumbers grease
Cardboard	Plumber's putty
Masking Tape	2" Caulkless Drain
Shims-wood or composite	Bag of Rapid Cure Thin-set Mortar
1-Tube White or color matching bathroom Caulk	
Large Wiping Cloths	



**TIP REMINDER: BE PROACTIVE TO SAVE TIME.** Since you will not know the condition, structural integrity and level of the subfloor beneath the old tub in advance, save time by having the materials you need on hand.

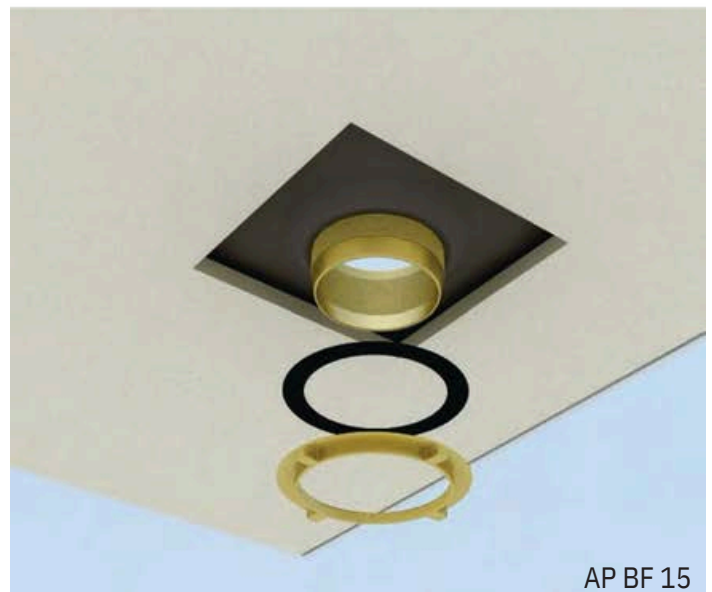
**MOST FLOORS ARE NOT PERFECTLY LEVEL.** Level subfloors and plumb walls are essential to TROUBLE FREE PERMANENT ASSEMBLY of your shower base and walls. For out of level floors, purchase in advance a 40LB BAG OF RAPID SET MORTAR to level floor and permanently adhere the shower base. This product is readily available at your local Tile store or big box home center. You will need a 5 Gal bucket, water, a mixer tool attachment to your drill or a hand stick. Should your SUB FLOOR be LEVEL, you may use 3 tubes of 100% silicone. For more information SEE page 10.



## DRAIN INSTALLATION:

Remove the inside neoprene gasket and compression ring from the drain and set aside for a later step. (see image AP BF 13)

Install the 2" caulk shower drain body on the pan with plumbers putty (see image AP BF 14 & 15). Tighten the nut until snug and excess putty squeezes out around the flange. Remove excess.



**PREPARE DRAIN PIPE:**

Prepare drain to meet local plumbing codes (see image AP BF 16).

**DRAIN CORE PREPARATION:**

**CRITICAL STEP** The details for the drain core area can be found on the Framing Diagram page in the product specification sheets. A 10" x 10" x 1/2" opening around the drain is required

to receive the shower pan and prevent the drain area from being pushed up out of its engineered position. (see image AP BF 18a). For a commercial or home installation on concrete floors, the same opening around is required. (image AP BF 18b).

**WITHOUT THIS CUT OUT THE PAN WILL NOT DRAIN PROPERLY. CAUSING PUDDLING IN YOUR SHOWER.**

Stub out and extend the drainpipe 2 to 4 inches above the floor (see image AP BF 17).

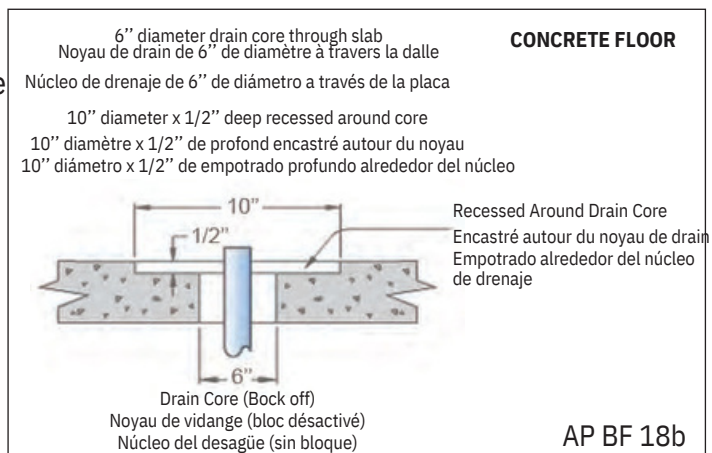
**CLEAN POCKET AREA OF DEBRIS:**

Ensure pocket is clean from all debris, even a small pebble can affect the draft to drain (see image AP BF 18a).

**DRY FIT PAN:** Dry-fit your pan to ensure it fits in the frame properly (see image AP BF 19).

**CHECK DRAFT TO DRAIN:**

Check draft to drain. Temporarily fasten to wall with one screw, shimming if necessary. Draw a line on the subfloor indicating the front point of the threshold (see image AP BF 20 on the following page). Remove pan, now it is time to install the drain body.





AP BF 19

**DRY FIT PAN:** Dry-fit your pan to ensure it fits in the frame properly (see image AP BF 19).

**CHECK DRAFT TO DRAIN:**

Check draft to drain. Temporarily fasten to wall with one screw, shimming if necessary. Draw a line on the subfloor indicating the front point of the threshold (see image AP BF 20). Remove pan, now it is time to install the drain body.

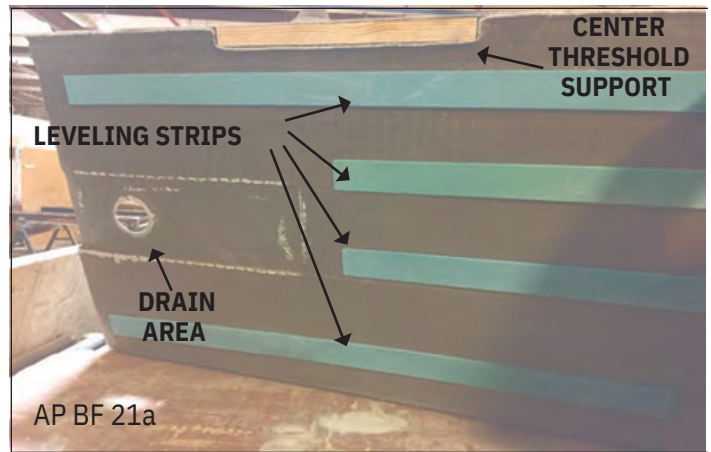
**PREPARATION TO BOND BASE TO FLOOR:** (IMAGE AP22)

Installer shall apply a rapid curing thin-set tile mortar (often referred to as latex modified thin-set) to LEVEL and ADHERE the base to the subfloor in a ONE STEP PROCEDURE. Available at tile stores and home centers, refer to manufacturer cure times. Apply to all area in measured amount in accordance with need as shown including perimeter of the drain area and thin layer beneath threshold support brace to ensure a permanent strong non- flexing base. Pull base back to ensure contact is uniform, add or remove excess as needed to achieve proper level and support. This procedure may be used on

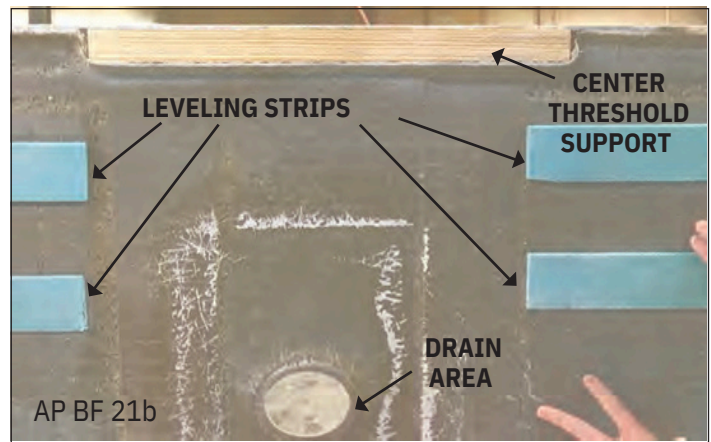
**UNLEVEL OR LEVEL SUBFLOORS.**



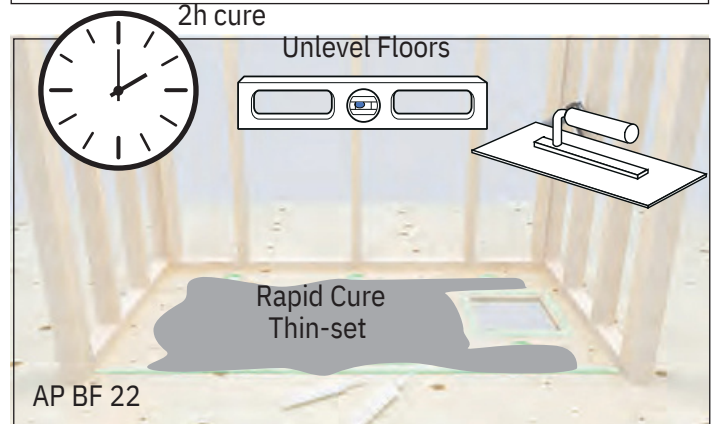
AP BF 20



AP BF 21a



AP BF 21b



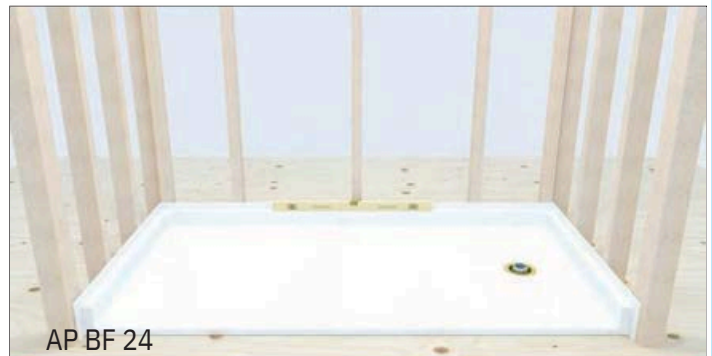
AP BF 22

## INSTALL PAN:

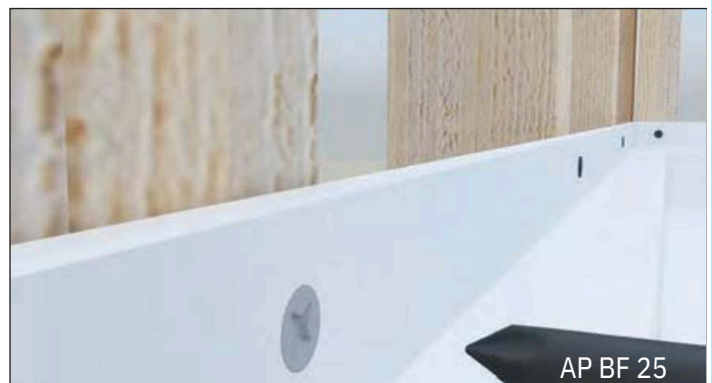
Place in permanent position. Place level on flange back and side flanges and adjust until your bubble is perfectly centered between the center lines. LEVEL IS VERY IMPORTANT TO NEXT STEPS. Shim pan away from back wall if necessary (referenced on page 6 ENSURE WALLS ARE PLUMB SOLUTION) Secure shower base to all available studs by counter sinking the #10 stainless steel wood screws (see image AP BF25) This allows the screw heads to be flush with the finished flange so as not to interfere with finished wall installation. Check for level and draft to drain one final time (see image AP BF 26). This will be the last opportunity to ensure a perfectly level pan that has draft to the drain before installing the walls.



AP BF 23



AP BF 24



AP BF 25



AP BF 26

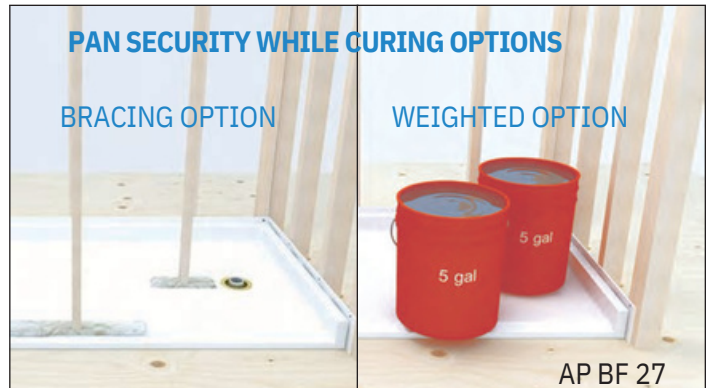
## SECURING PAN TO FLOOR:

While the modified thin-set cures, the pan needs to be secured to the floor. There are two possible methods to achieve this. (see image AP BF 27)

### 1. BRACING

This is the preferred method which consistently provides the best results.

Place padded pieces of wood as close to the drain as possible (see image AP BF 28), and close to the front of the threshold for flush contact to the subfloor (see image AP BF 29). Brace securely with 2" x 4" studs against the ceiling. Leave intact for 4 hours (see image AP BF 30), then check draft again.



## **BRACING (cont...) II.ALTERNATE BRACING METHOD:**

If bracing is not possible, you can weigh the pan down with 5 gallon buckets filled with water (see image AP BF 31)Curing time can be as rapid as 2 hours depending on material, temperature and humidity in the installation environment. Check manufacturer adhesive instructions on the label or online for estimated curing time.

## **COMPLETE DRAIN CONNECTION:**

Cut the drain pipe to be even with the top of the rubber gasket using an inside pipe cutting tool (see image AP BF 32). Using plumbers grease, lubricate the inside of the rubber gasket and slide over the drain pipe with beveled edge facing up (see image AP BF 33).



### COMPLETE DRAIN CONNECTION (cont...):

Push down until rubber gasket seats itself. If there is positive draft, you may now tighten the compression nut (see image AP BF 34).

Snap the grid drain into place (see image AP BF 35).



AP BF 34



AP BF 35

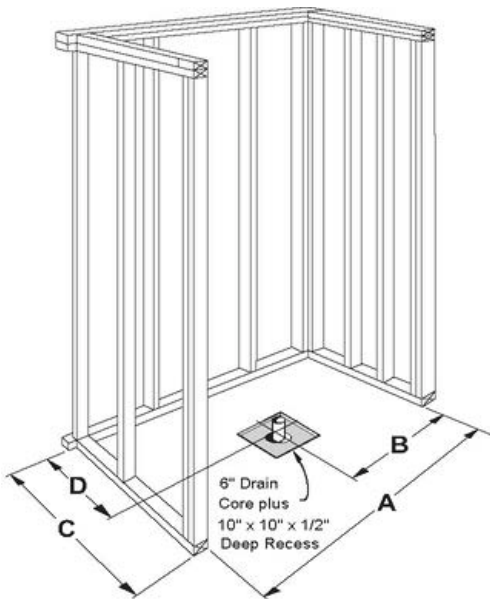
### APPLY PROTECTION TO FLOOR:

Place protection on the floor to prevent scratches and dings to the finish while completing the assembly process. The protection can be cut from the cardboard packaging as the example shown here (see image AP BF 36).

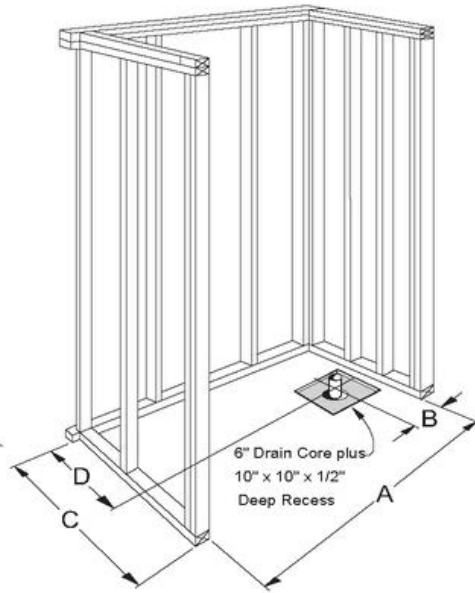


AP BF 36

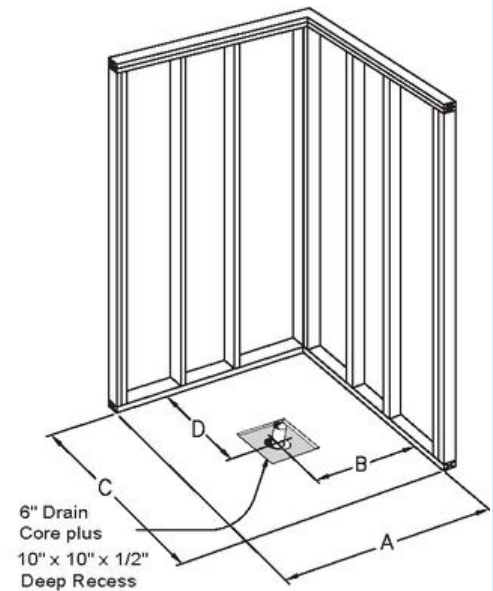
## FRAMING DIAGRAMS



Center Drain



End Drain

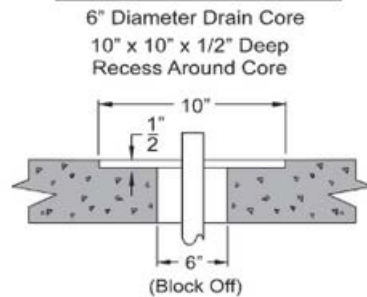


Corner pan

## Framing Dimensions

Part #	Note	A	B	C	D
APF3838BFPANRRF	ADA	38 3/4"	19 3/8"	36 3/8"	19 1/4"
APF3838BFPAN		38 7/8"	19 7/16"	38 7/8"	19 1/8"
APF4836BFPAN		48 1/4"	24 1/8"	37"	18"
APF5050BFPAN		50 3/4"	25 3/8"	50 1/8"	24"
APF5430BFPANLR		54 1/4"	8 5/8"	31"	15"
APF5436BFPANLR		54 1/4"	8 5/8"	36 7/8"	17 5/8"
APF5050BFPANDE	Corner	50"	24"	50"	24"
APF6030BFPANC		60 1/4"	30 1/8"	31"	15"
APF6033BFPANC		60 1/4"	30 1/8"	33 3/8"	15"
APF6036BFPAN		60 1/4"	30 1/8"	37"	18"
APF6048BFPAN		60 1/4"	30 1/8"	49"	24"
APF6060BFPANDE	Corner	61 1/4"	30 1/8"	61 1/4"	30 1/8"
APF6060BFPAN		60 1/4"	30 1/8"	61"	30"
APF6030BFPANLR		60 1/4"	8 5/8"	31"	15"
APF6033BFPANLR		60 1/4"	8 5/8"	33 3/8"	15"
APF6036BFPANLR		60 1/4"	8 5/8"	37"	18 5/8"
APF6232BFPANLR	ADA	62 11/16"	8 5/8"	32 1/4"	16"
APF6232BFPANC	ADA	62 7/8"	31 3/8"	32 1/4"	16 1/4"
APF6238BFPANC	ADA	62 7/8"	31 3/8"	38 1/4"	19 1/4"

### DETAIL OF DRAIN CORE AREA



Cement floor

Note: Unit will not install properly if framing pocket is not square and of proper size. The dimensions shown in the FRAMING DIAGRAMS are 1/4" larger than the size of the shower pan. This product is manufactured to tight specifications. The 1/4" over sizing is for maneuvering and installation ease. If 1/4" over is not reasonable, sizing closer to the product actual dimensions is allowable.