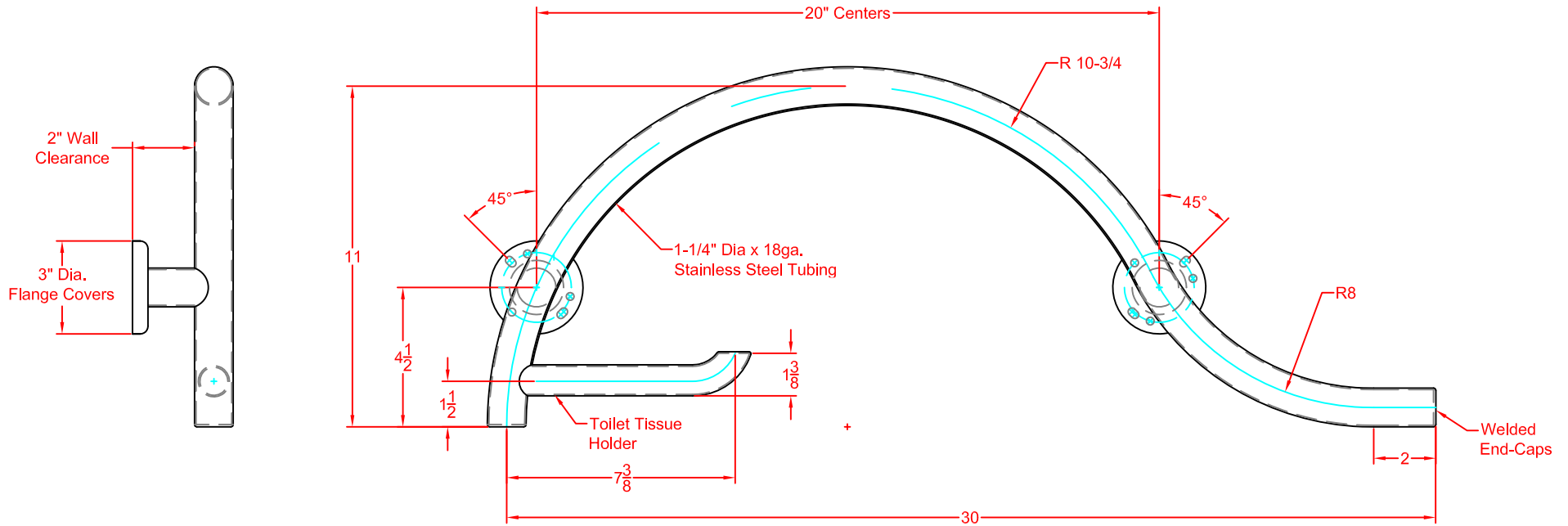
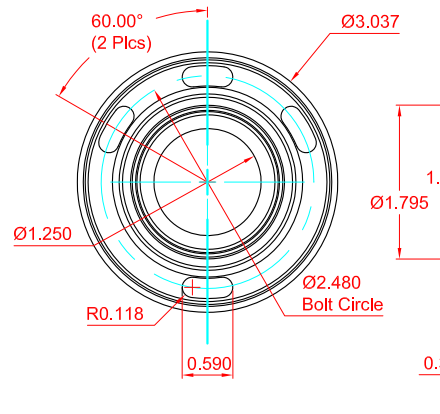


Description:
APFGWR3330QCR-MB
 30" RH Pismo Curved Bar w/Toilet Tissue Holder
 1-1/4" x 18ga S.S. Tubing
 (Matte Black Finish)

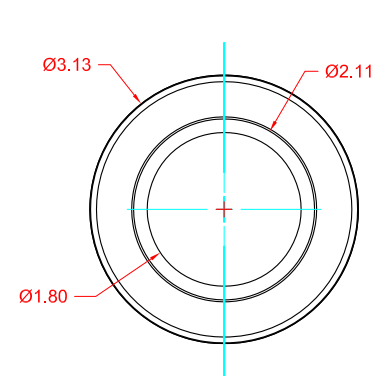
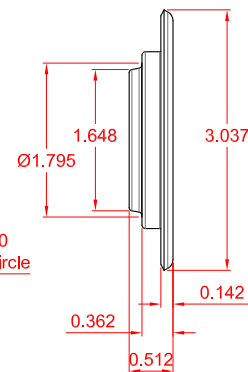
Customer:
 Customer Part #
 05-21-2012



RIGHT HAND



IFSS-CER-FLANGE
 Detail



ICSS-CCR-COVER
 Detail

